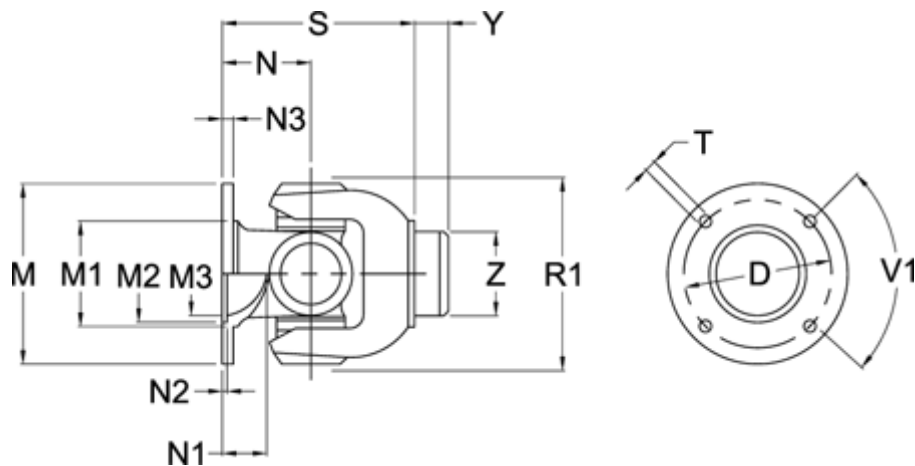


Article number: 07122051005

Description: Universal joint single 0.122.051.005
S=225 X= Bore with keyway

Measures



| | | | | |
|----------------------------|------------|-----------------------|----------|------------|
| D | = 196 +0,1 | N2 | = 5 +0,5 | Z = 108.25 |
| Flange diameter M | = 225 | N3 | = 15 | |
| M1 | = 160 | Number og Flangeholes | = 8 | |
| M2 | = 140 | R1 | = 204 | |
| M3 | = 128 | S min | = 225 | |
| Max. Bending Angle degrees | = 30 | T | = 16 B12 | |
| N | = 110 | V1 degrees | = 45 | |
| N1 | = 36 | Y | = 30 | |